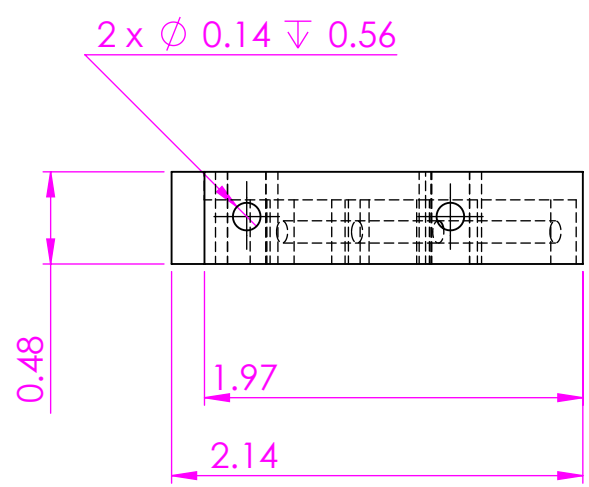
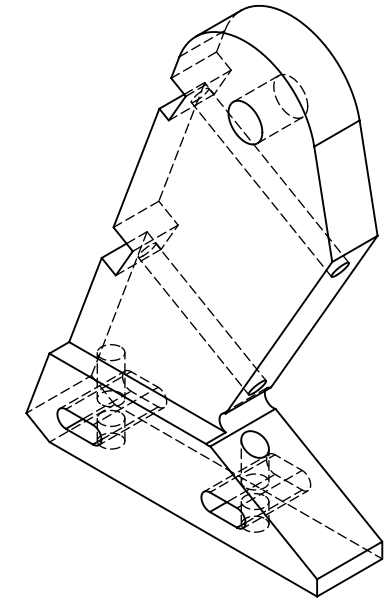
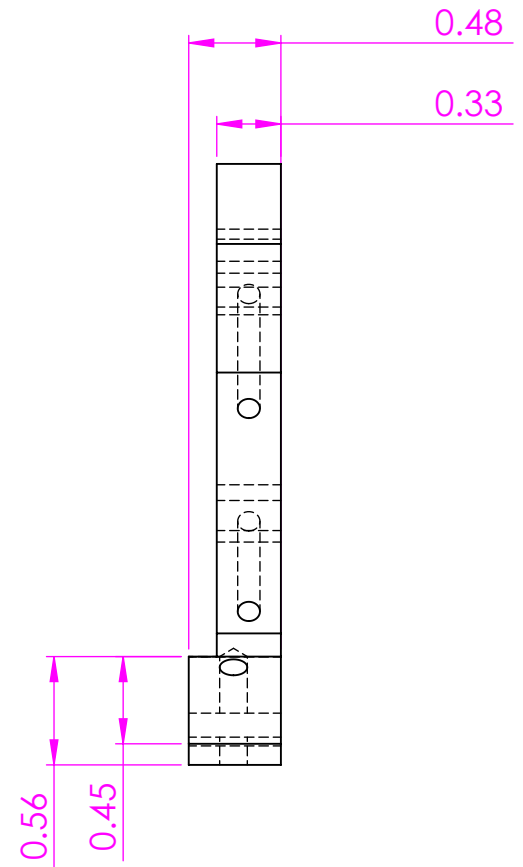
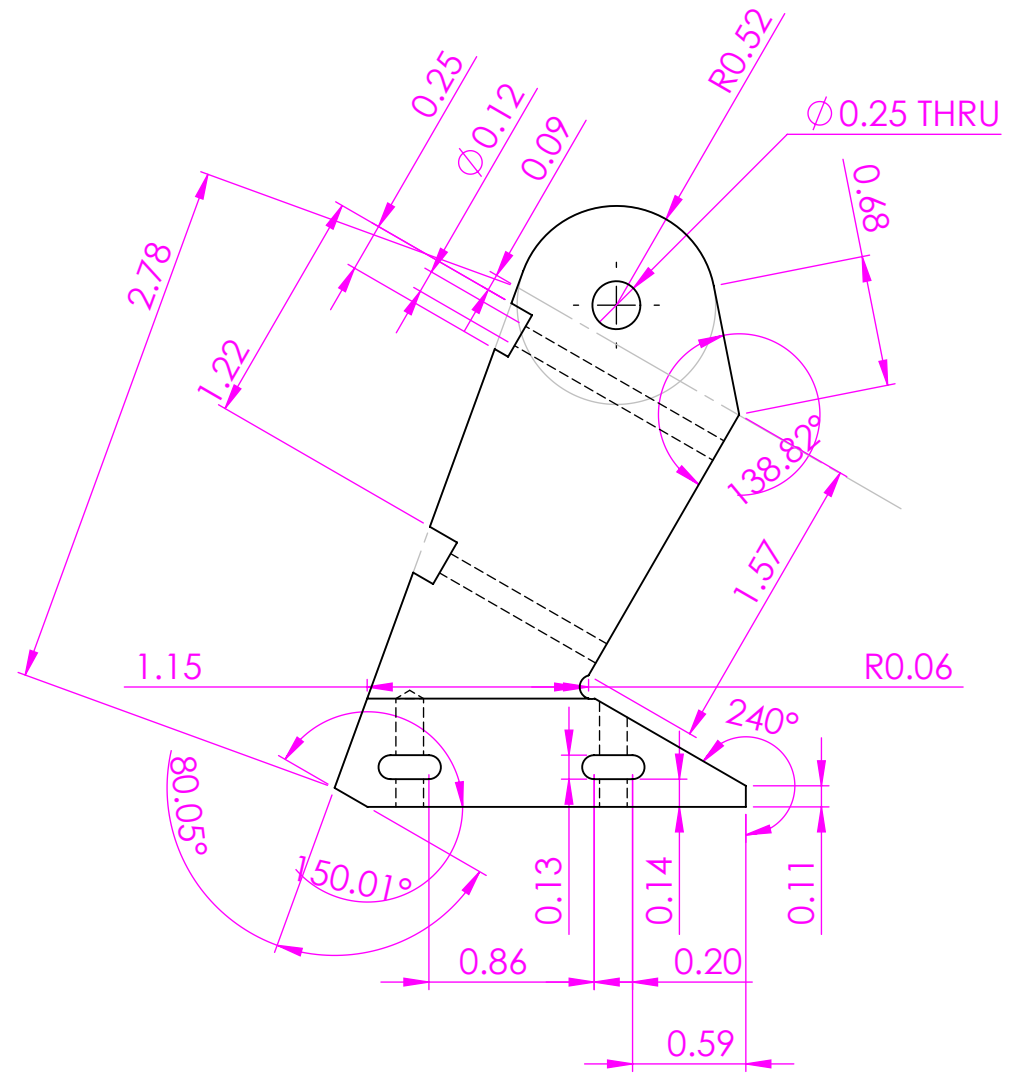


4

3

2

1



PROPRIETARY AND CONFIDENTIAL  
 THE INFORMATION CONTAINED IN THIS  
 DRAWING IS THE SOLE PROPERTY OF  
 OPENAG, INC. ANY REPRODUCTION  
 IN PART OR AS A WHOLE WITHOUT  
 THE WRITTEN PERMISSION OF  
 OPENAG, INC IS PROHIBITED.

|             |         |                                 |           |      |                 |              |
|-------------|---------|---------------------------------|-----------|------|-----------------|--------------|
|             |         | UNLESS OTHERWISE SPECIFIED:     | NAME      | DATE | tim savas       |              |
|             |         | DIMENSIONS ARE IN INCHES        | DRAWN     |      | TITLE:          |              |
|             |         | TOLERANCES:                     | CHECKED   |      | motor_bracket_l |              |
|             |         | ANGULAR: MACH $\pm 0.5$         | ENG APPR. |      | eft             |              |
|             |         | TWO PLACE DECIMAL $\pm 0.06$    | MFG APPR. |      | SIZE            | DWG. NO.     |
|             |         | THREE PLACE DECIMAL $\pm 0.005$ | Q.A.      |      | B               | REV          |
|             |         | MATERIAL                        | COMMENTS: |      |                 | 1            |
|             |         | polycarbonate                   |           |      | SCALE: 1:1      | WEIGHT:      |
| NEXT ASSY   | USED ON | FINISH                          |           |      |                 | SHEET 1 OF 1 |
| APPLICATION |         | DO NOT SCALE DRAWING            |           |      |                 |              |

4

3

2

1

B

B

A

A