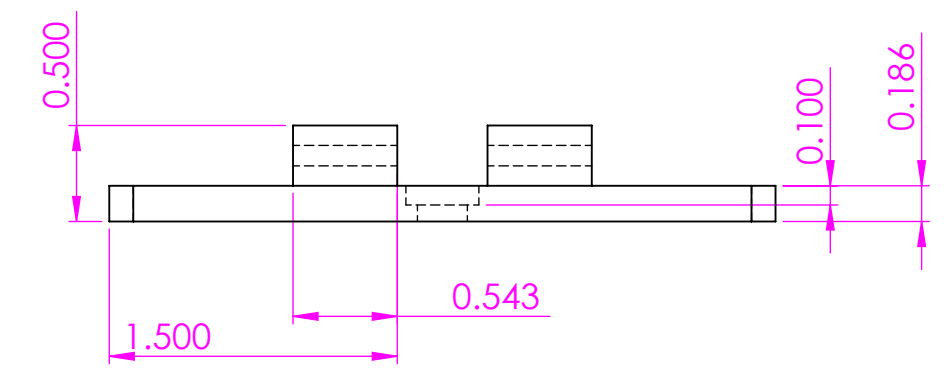
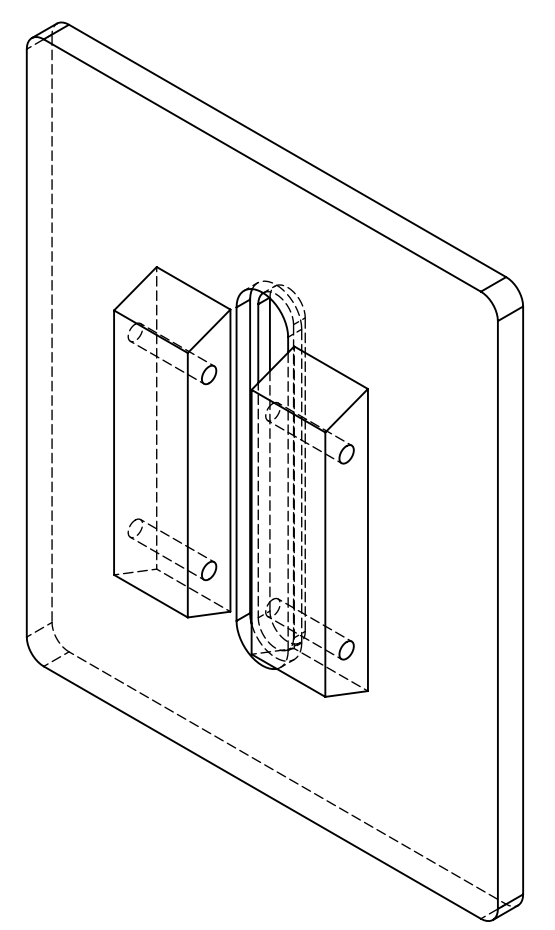
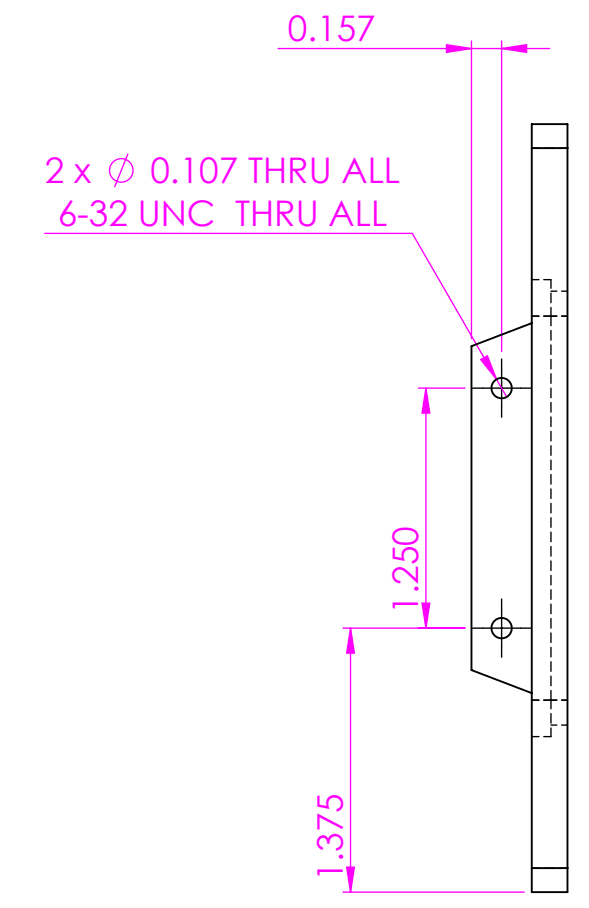
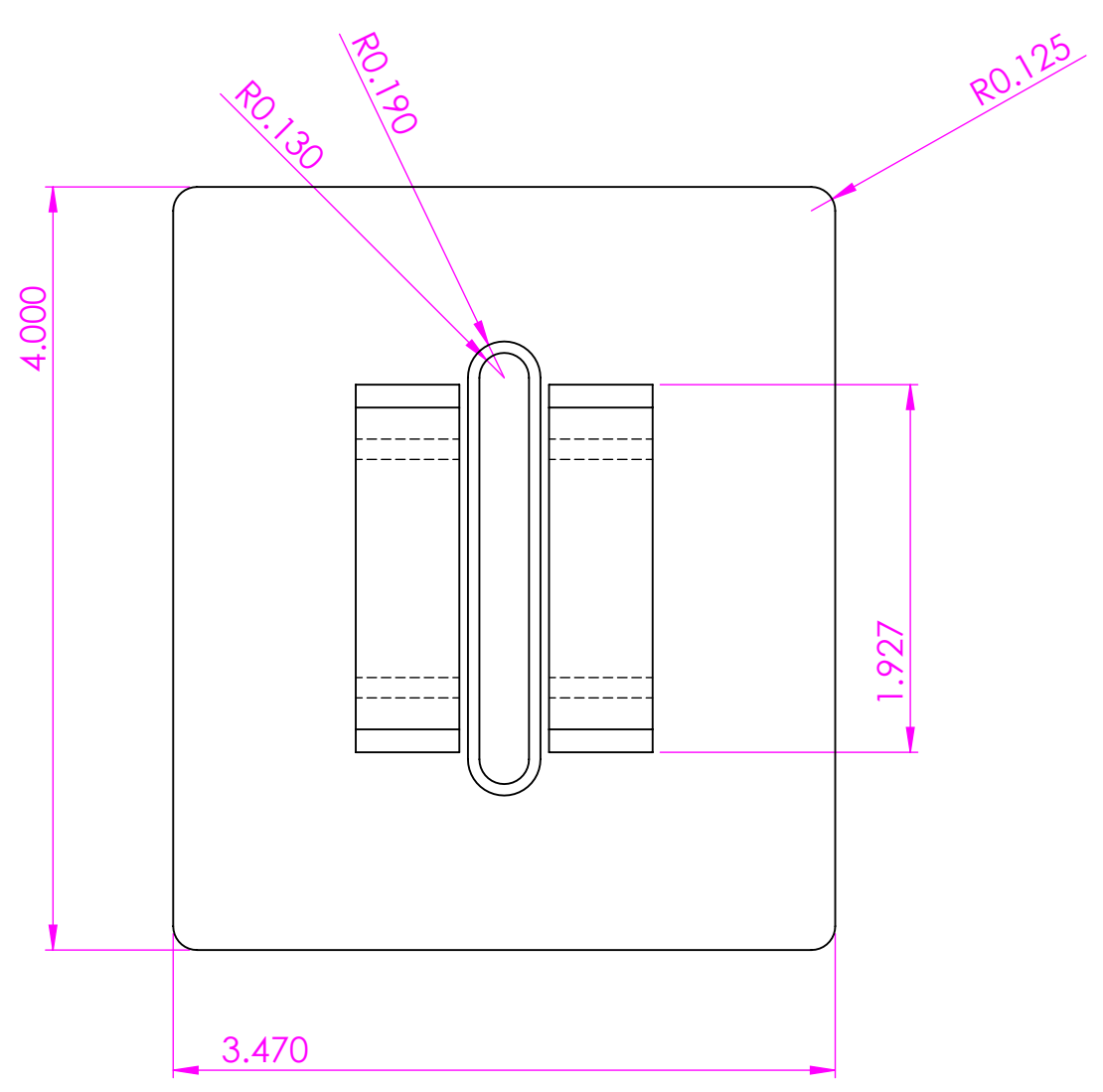


4

3

2

1



PROPRIETARY AND CONFIDENTIAL
 THE INFORMATION CONTAINED IN THIS
 DRAWING IS THE SOLE PROPERTY OF
 OPENAG, INC. ANY REPRODUCTION
 IN PART OR AS A WHOLE WITHOUT
 THE WRITTEN PERMISSION OF
 OPENAG, INC IS PROHIBITED.

		UNLESS OTHERWISE SPECIFIED:		NAME	DATE	tim savas	
		DIMENSIONS ARE IN INCHES		DRAWN		TITLE:	
		TOLERANCES:		CHECKED		stage	
		ANGULAR: MACH ±0.5 BEND ±1		ENG APPR.		SIZE	
		TWO PLACE DECIMAL ±0.06		MFG APPR.		DWG. NO.	
		THREE PLACE DECIMAL ±0.005		Q.A.		REV	
		MATERIAL		COMMENTS:		1	
		polycarbonate				SCALE: 1:1 WEIGHT:	
NEXT ASSY		USED ON				SHEET 1 OF 1	
APPLICATION		DO NOT SCALE DRAWING					

4

3

2

1

B

B

A

A