

4

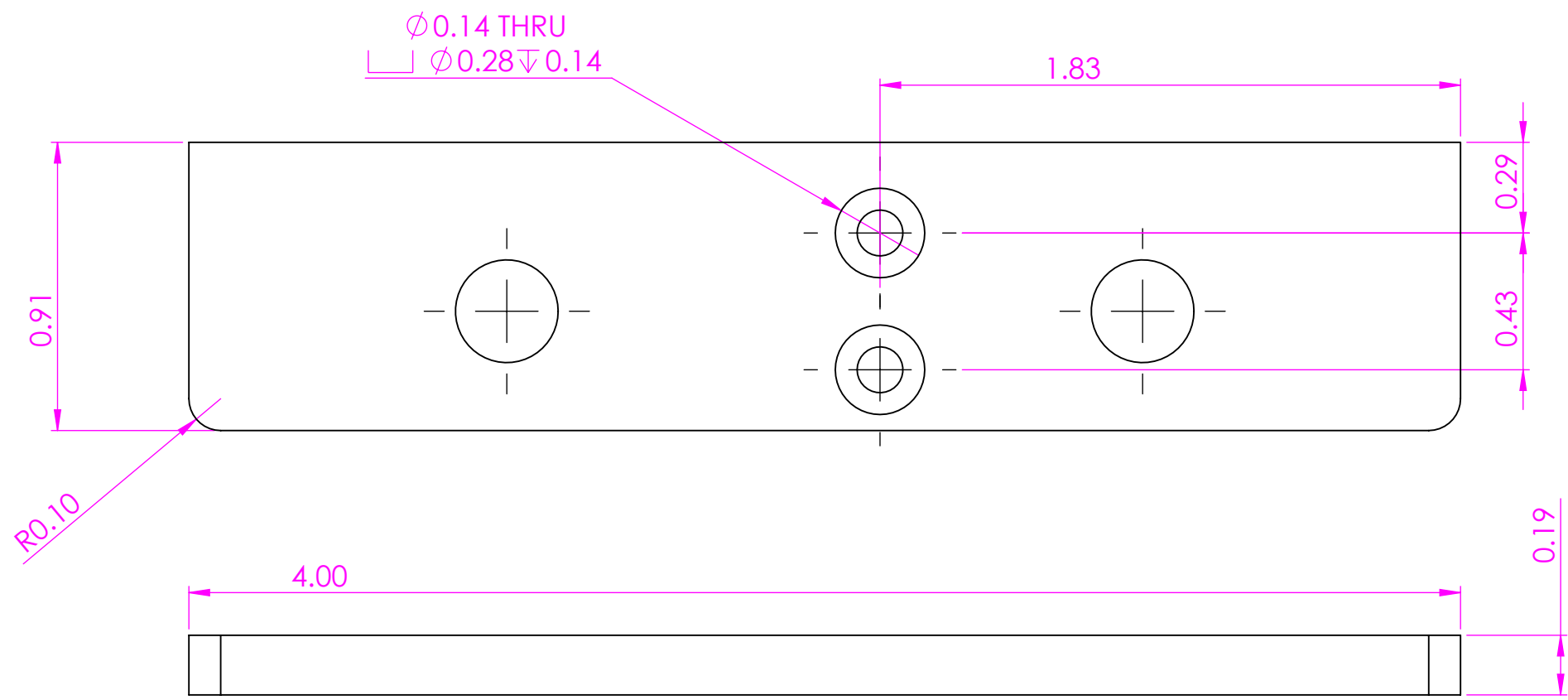
3

2

1

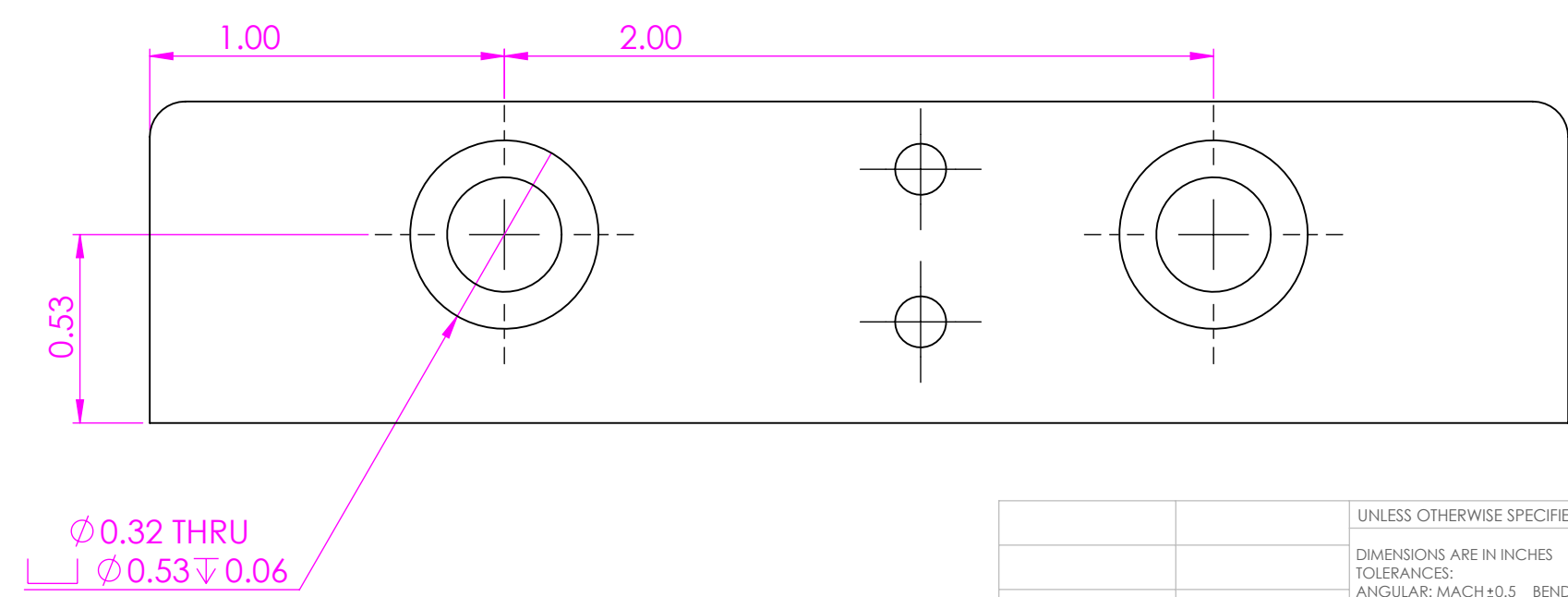
B

B



A

A



PROPRIETARY AND CONFIDENTIAL
 THE INFORMATION CONTAINED IN THIS
 DRAWING IS THE SOLE PROPERTY OF
 OPENAG, INC. ANY REPRODUCTION
 IN PART OR AS A WHOLE WITHOUT
 THE WRITTEN PERMISSION OF
 OPENAG, INC IS PROHIBITED.

		UNLESS OTHERWISE SPECIFIED:		NAME	DATE	tim savas
		DIMENSIONS ARE IN INCHES TOLERANCES: ANGULAR: MACH ± 0.5 BEND ± 1 TWO PLACE DECIMAL ± 0.06 THREE PLACE DECIMAL ± 0.005		DRAWN		
		MATERIAL polycarbonate		CHECKED		SIZE DWG. NO. REV B
		FINISH		ENG APPR.		
NEXT ASSY	USED ON			MFG APPR.		
APPLICATION		DO NOT SCALE DRAWING		Q.A.		
				COMMENTS:		