

4

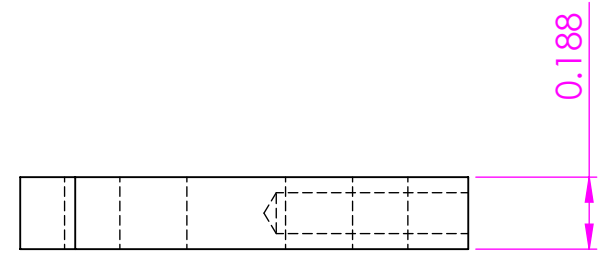
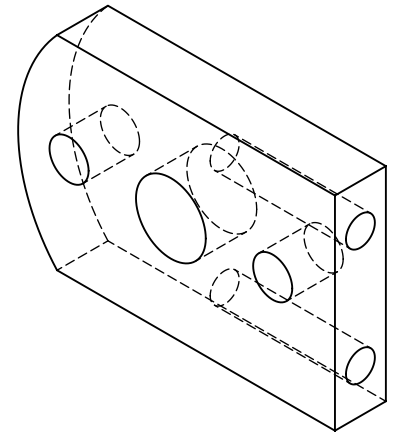
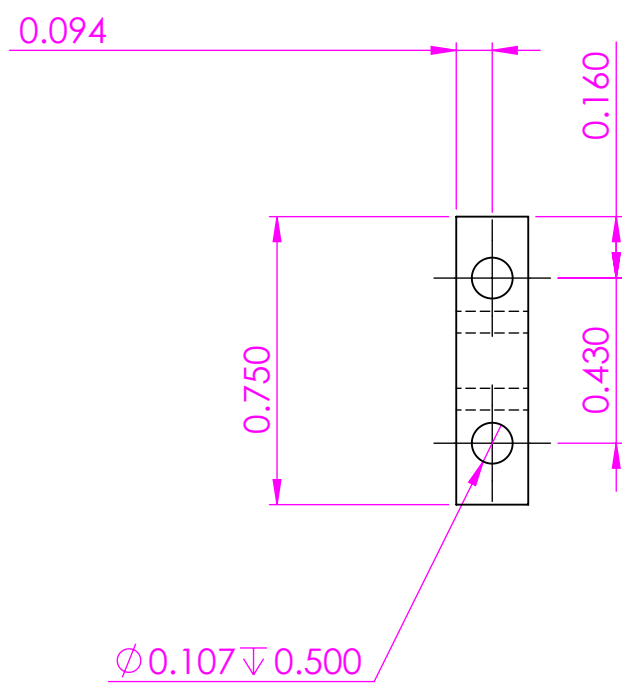
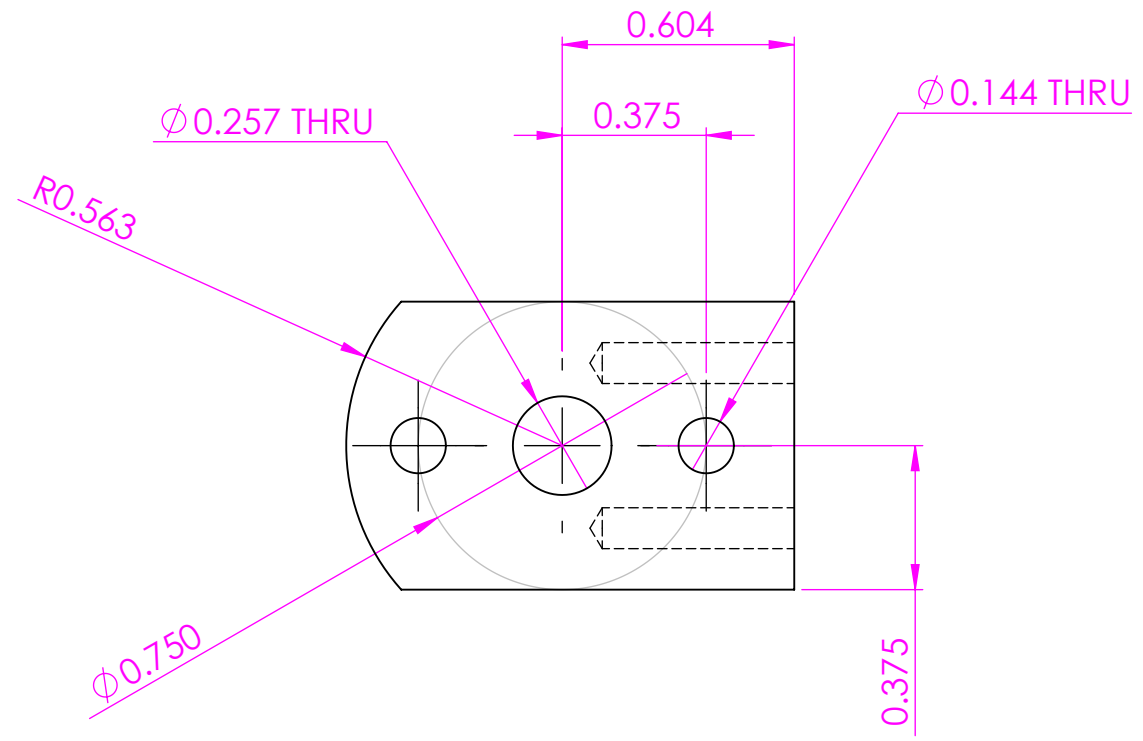
3

2

1

B

B



A

A

THE INFORMATION CONTAINED IN THIS DRAWING IS THE PROPERTY OF OPENAG, INC. ANY REPRODUCTION IN PART OR AS A WHOLE WITHOUT THE WRITTEN PERMISSION OF OPENAG, INC IS PROHIBITED.

DIMENSION UNLESS OTHERWISE SPECIFIED:		NAME	DATE
TOLERANCES:		DRAWN	
ANGULAR: MACH ±0.5	BEND ±1	CHECKED	
TWO PLACE DECIMAL	±0.06	ENG APPR.	
THREE PLACE DECIMAL	±0.005	MFG APPR.	
MATERIAL		Q.A.	
polycarbonate		COMMENTS:	
FINISH			
NEXT ASSY	USED ON		
APPLICATION			
DO NOT SCALE DRAWING			

tim savas
 TITLE:
 Mirrorlateral_ba
 cklash_mount02
 SIZE DWG. NO. REV
 B 1
 SCALE: 5:1 WEIGHT: SHEET 1 OF 1

4

3

2

1