

4

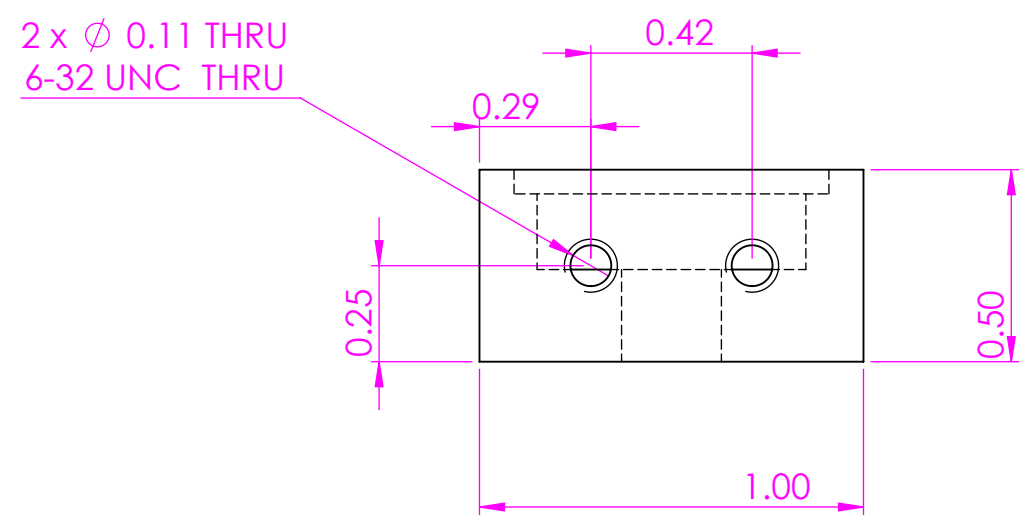
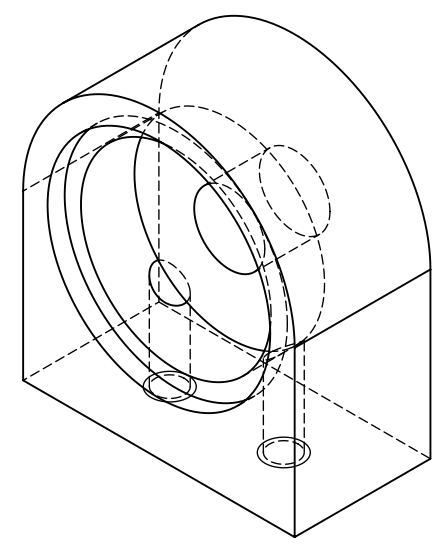
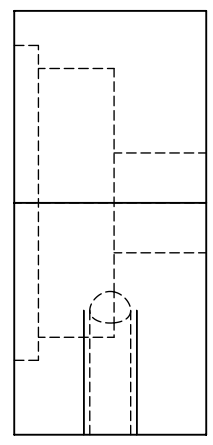
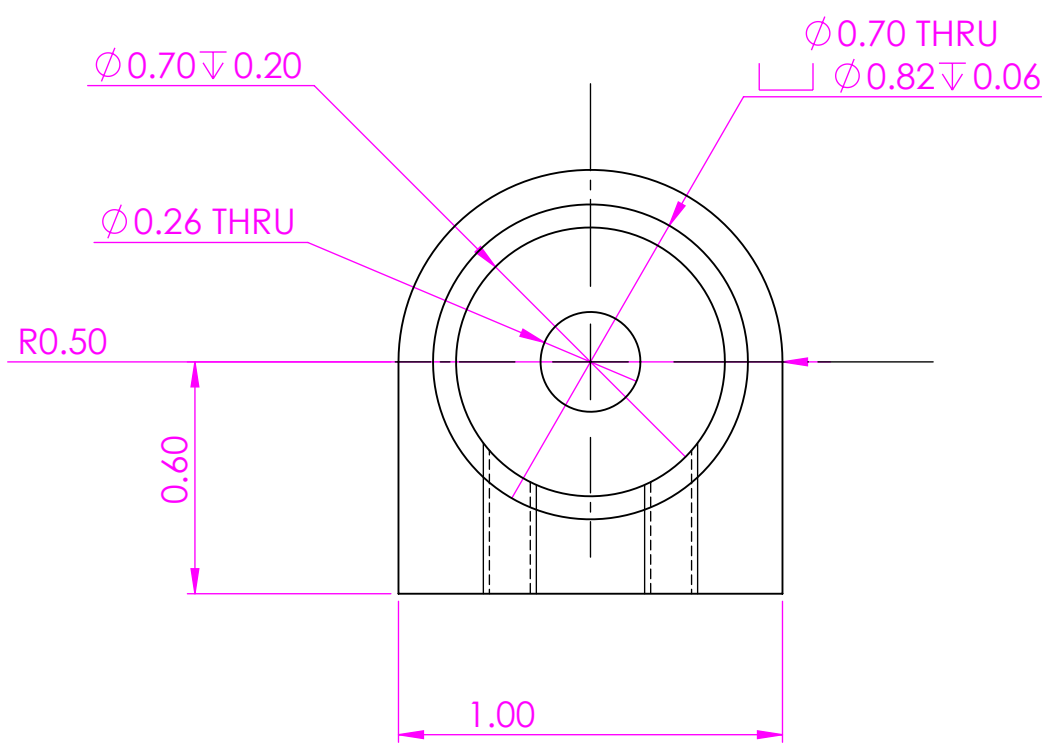
3

2

1

B

B



A

A

PROPRIETARY AND CONFIDENTIAL  
 THE INFORMATION CONTAINED IN THIS  
 DRAWING IS THE SOLE PROPERTY OF  
 OPENAG, INC. ANY REPRODUCTION  
 IN PART OR AS A WHOLE WITHOUT  
 THE WRITTEN PERMISSION OF  
 OPENAG, INC IS PROHIBITED.

		UNLESS OTHERWISE SPECIFIED:		NAME	DATE	tim savas	
		DIMENSIONS ARE IN INCHES		DRAWN		TITLE:	
		TOLERANCES:		CHECKED		flanged_bearing	
		ANGULAR: MACH ±0.5 BEND ±1		ENG APPR.		_mount01	
		TWO PLACE DECIMAL ±0.06		MFG APPR.		SIZE	DWG. NO.
		THREE PLACE DECIMAL ±0.005		Q.A.		B	
		MATERIAL		COMMENTS:		REV	1
		polycarbonate				SCALE: 2:1	WEIGHT:
NEXT ASSY	USED ON	FINISH				SHEET 1 OF 1	
APPLICATION		DO NOT SCALE DRAWING					

4

3

2

1