

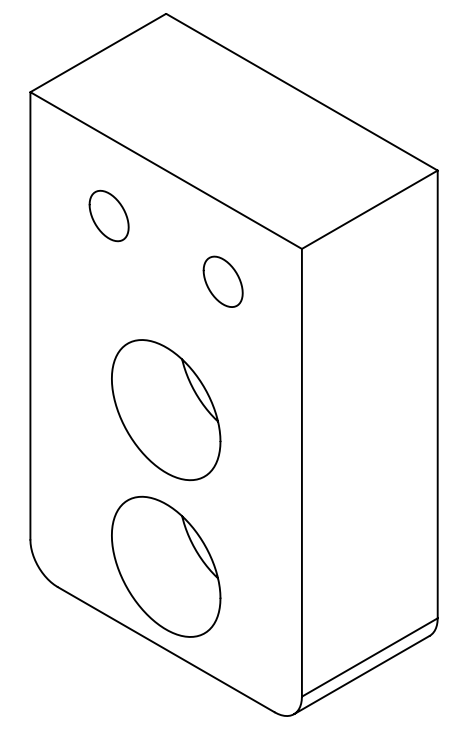
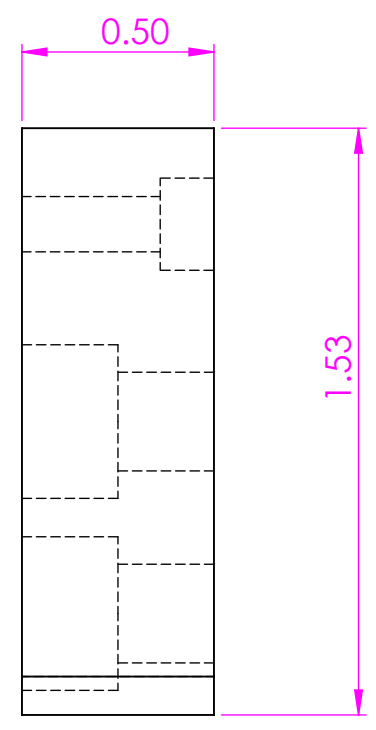
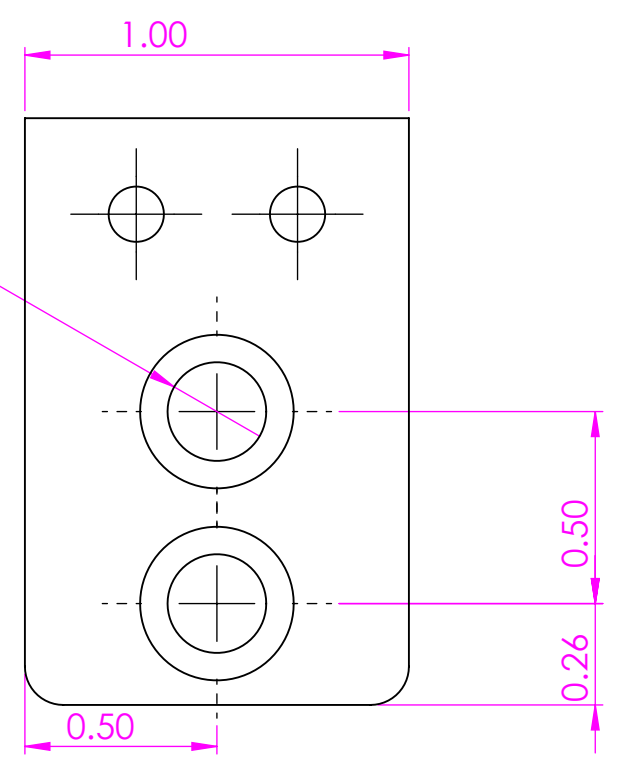
4

3

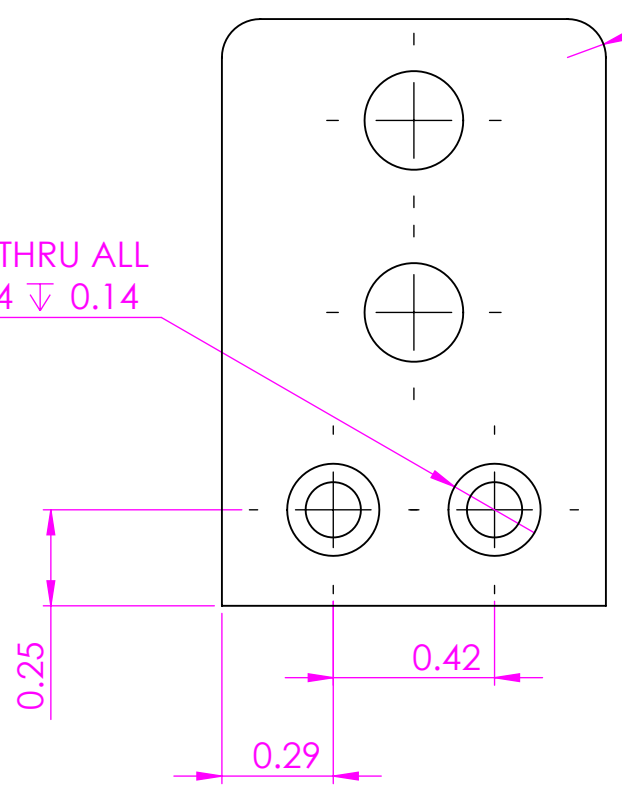
2

1

2 x  $\phi$  0.26 THRU ALL  
└┘  $\phi$  0.40 ▽ 0.25



2 x  $\phi$  0.14 THRU ALL  
└┘  $\phi$  0.24 ▽ 0.14



R0.10

PROPRIETARY AND CONFIDENTIAL  
THE INFORMATION CONTAINED IN THIS  
DRAWING IS THE SOLE PROPERTY OF  
OPENAG, INC. ANY REPRODUCTION  
IN PART OR AS A WHOLE WITHOUT  
THE WRITTEN PERMISSION OF  
OPENAG, INC IS PROHIBITED.

		UNLESS OTHERWISE SPECIFIED:		NAME	DATE	tim savas	
		DIMENSIONS ARE IN INCHES TOLERANCES: ANGULAR: MACH $\pm$ 0.5 BEND $\pm$ 1 TWO PLACE DECIMAL $\pm$ 0.06 THREE PLACE DECIMAL $\pm$ 0.005		DRAWN		TITLE: flanged_bearing _mount02	
		MATERIAL polycarbonate		CHECKED		SIZE DWG. NO. REV B	
		FINISH		ENG APPR.		WEIGHT: SHEET 1 OF 1	
NEXT ASSY	USED ON			MFG APPR.			
APPLICATION		DO NOT SCALE DRAWING		Q.A.			
				COMMENTS:			

4

3

2

1

B

B

A

A