

4

3

2

1

B

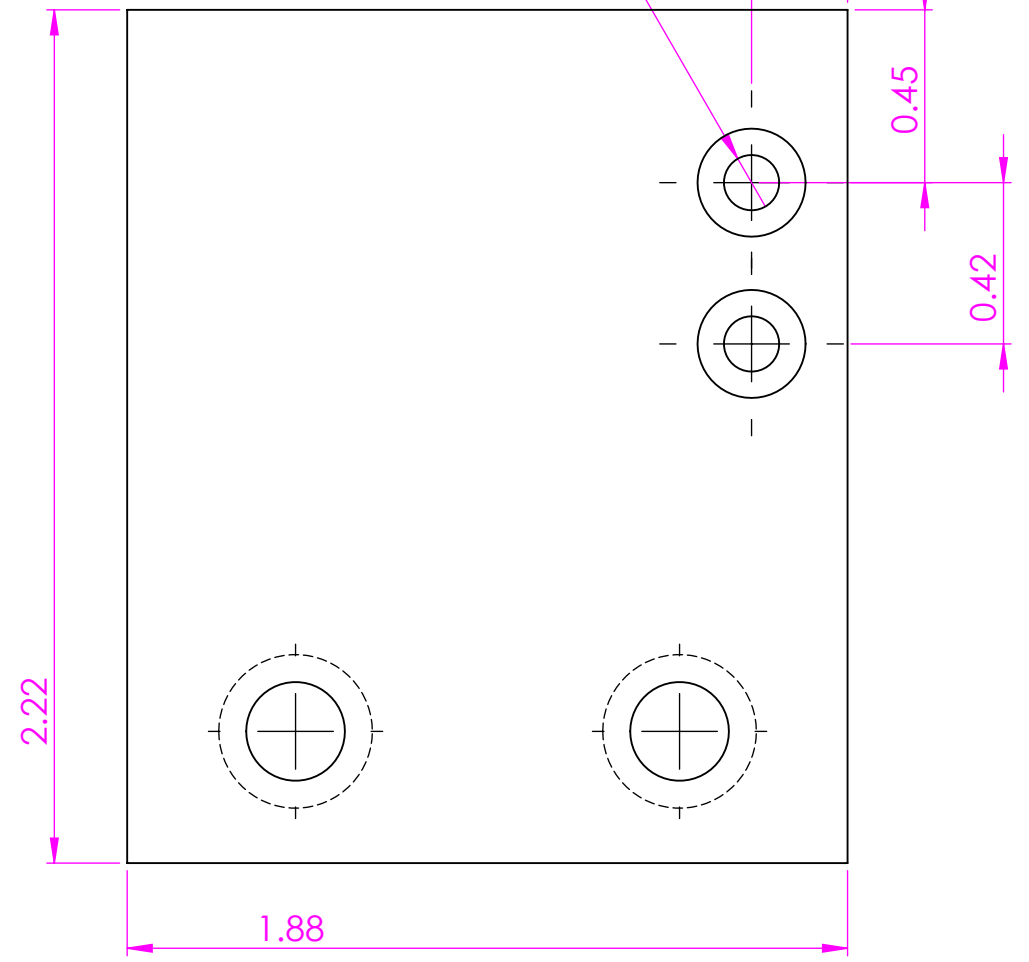
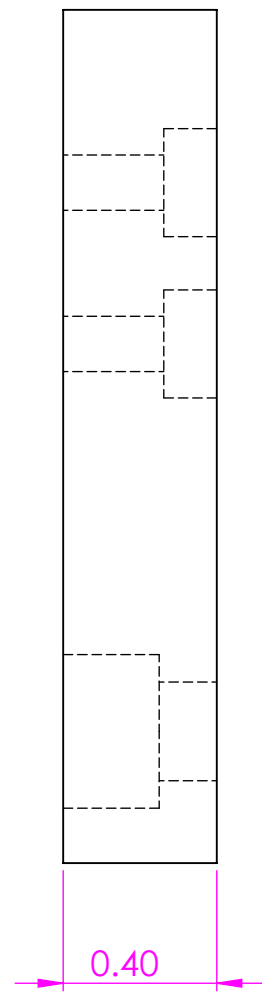
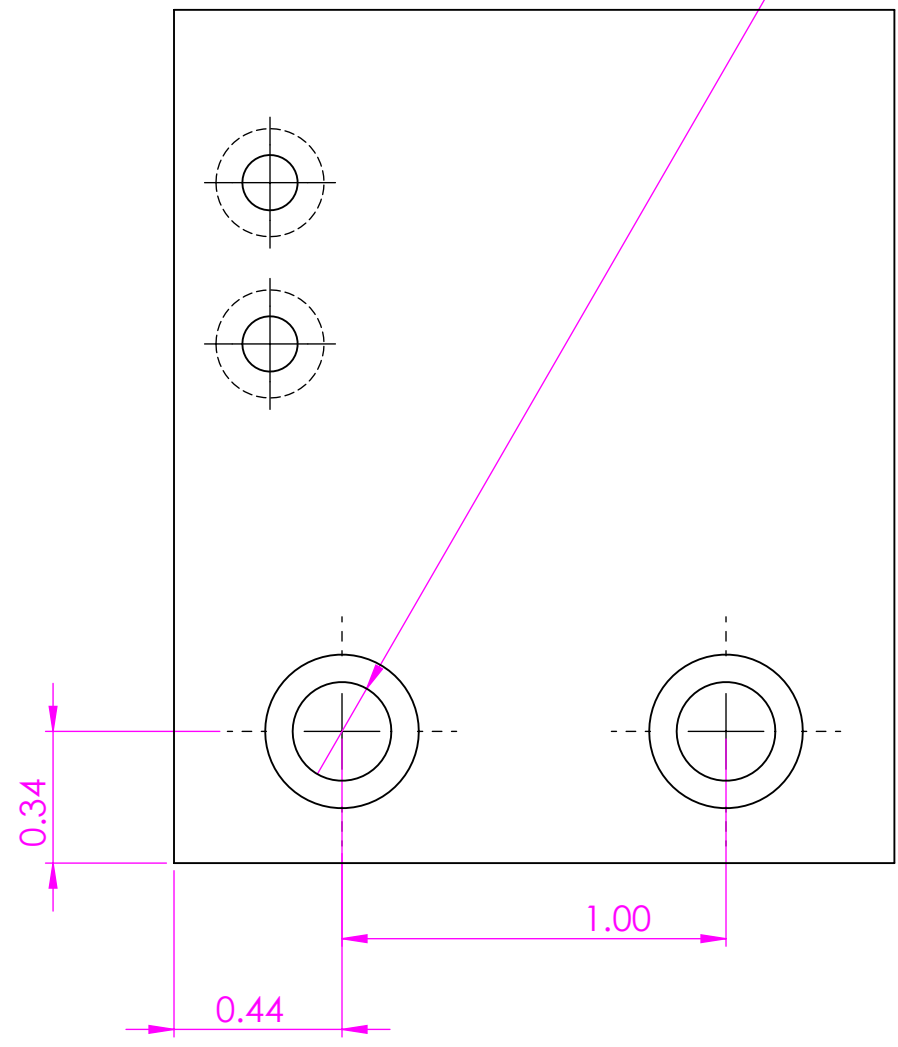
B

A

A

2 x ϕ 0.26 THRU ALL
 \square ϕ 0.40 ∇ 0.25

2 x ϕ 0.14 THRU ALL
 \square ϕ 0.28 ∇ 0.14



PROPRIETARY AND CONFIDENTIAL
THE INFORMATION CONTAINED IN THIS
DRAWING IS THE SOLE PROPERTY OF
OPENAG, INC. ANY REPRODUCTION
IN PART OR AS A WHOLE WITHOUT
THE WRITTEN PERMISSION OF
OPENAG, INC IS PROHIBITED.

		UNLESS OTHERWISE SPECIFIED:		NAME	DATE	tim savas	
		DIMENSIONS ARE IN INCHES TOLERANCES: ANGULAR: MACH \pm 0.5 BEND \pm 1 TWO PLACE DECIMAL \pm 0.06 THREE PLACE DECIMAL \pm 0.005		DRAWN		TITLE: side_bearing_m ount	
		MATERIAL polycarbonate		CHECKED		SIZE	DWG. NO.
		FINISH		ENG APPR.		B	
NEXT ASSY	USED ON			MFG APPR.		SCALE: 2:1	WEIGHT:
APPLICATION		DO NOT SCALE DRAWING		Q.A.			
				COMMENTS:			REV 1
							SHEET 1 OF 1

4

3

2

1